



- High Resolution IP Network Camera
- Superb Video Quality including HDTV
- Controllable Frame Rate and Bandwidth
- Day/Night Operation
- IP66 Rated for Harsh Indoor or Outdoor Environments

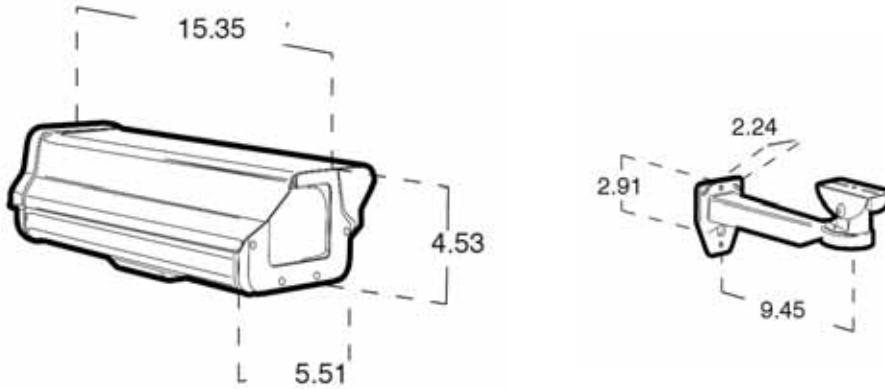
IPCAM1000

IP66 INDOOR/OUTDOOR FIXED IP CAMERAS

TECHNICAL SPECIFICATIONS	
CAMERA	
Model	1 MP/HDTV 720p, day and night
Lens	Varifocal 3-8 mm: 32° - 74° view*, F1.2, DC-iris, CS mount Remote back focus
Day and Night	Automatically removable infrared-cut filter
Light Sensitivity/ Min. Illumination	Color: 0.3 lux, B/W: 0.05 lux, F1.2
Shutter Time	1/24500 s to 1/6 s
VIDEO	
Video Compression	H.264 (MPEG-4 Part 10/AVC), Motion JPEG
Resolution	1280x800 (1 MP) to 160x90
Frame rate H.264/Motion JPEG	30 fps in all resolutions
Video Streaming	Multiple, individually configurable streams in H.264 and Motion JPEG Controllable frame rate and bandwidth VBR/CBR H.264
Backlight Compensation	BLC / HLC / OFF
Pan/Tilt/Zoom	Digital PTZ, preset positions, guard tour
Image Settings	Compression, color, brightness, sharpness, contrast, white balance, exposure control, exposure zones, backlight compensation, fine tuning of behavior at low light, rotation Text and image overlay, privacy mask Wide dynamic range - dynamic contrast, mirroring of images
AUDIO	
Audio Streaming	Two-way
Audio Compression	AAC LC 8/16 kHz, G.711 PCM 8 kHz, G.726 ADPCM 8 kHz Configurable bit rate
Input/output	Built-in microphone, external microphone input or line input, line output
NETWORK	
Security	Password protection, IP address filtering, digest authentication, HTTPS encryption, IEEE 802.1X network access control, user access log
Supported Protocols	IPv4/v6, HTTP, HTTPS, QoS Layer 3 DiffServ, FTP, SMTP, Bonjour, UPnP, SNMPv1/v2c/v3(MIB-II), DNS, DynDNS, NTP, RTSP, RTP, TCP, UDP, IGMP, RTCP, ICMP, DHCP, ARP, SOCKS

GENERAL	
Power	8-20 V DC Power over Ethernet (PoE) IEEE 802.3af
Connectors	RJ-45 10BASE-T/100BASE-TX PoE 3.5 mm mic/line in, 3.5 mm line out Terminal blocks for power, 1 alarm input and 1 output
Approvals	EN 55022 Class B, EN 61000-3-2, EN 61000-3-3, EN 55024, FCC Part 15 Subpart B Class B, ICES-003 Class B, VCCI Class B, C-tick AS/ NZS CISPR 22, EN 60950-1
Weight	4.11 kg
ENVIRONMENTAL	
Operating Temp/Humid	- 35°C ~ +60°C / 30% ~ 80% RH
Ingress Protection	IP66: Waterproof and Dust-tight
ENCLOSURE	
Viewing Material	Plate Glass 5mm, 0.2"
Construction	Extruded Aluminum
Cable Entry	Gland fitting on bottom of housing
Latch	Located at rear of housing. Accepts padlock for security
Camera Mounting	Removable camera sled
Weight	3.83kg
Dimensions	390mm, 15.35"x(W)140mm, 5.51"x (H) 115mm, 4.53"
Bracket	GV-Bracket, Metal Bracket for GV-HOU3512/HB
Material	Aluminum
Length	240mm (9.45")
Max. Load	10kg
Swivel Angle	360°
Tilt Angle	- 80° ~ + 45°
Heater	On = Less than 15°C / Off = More than 25°C
Maximum Current Draw	900mA
Average Current Draw	350 mA
Fan	On = 35°C or more / Off = Less than 25°C
Average Current Draw	150 mA
* The specification for this product may change without prior notice for product improvement.	

DIMENSIONS



Installation Note: All integration components are supplied with the IPCAM1000 including: mounting hardware (brackets, supporting arms), all cabling to a junction box, and the junction box. End user will connect to the IPCAM1000 through the junction box.

CONFIGURATION



BASE UNIT

IPCAM1000 High resolution, day/night, network IP camera with IP66 enclosure and mounting hardware

LENS

Camera Lens Options

L01 3.0mm – 8.0mm: 32° - 74° view, F1.2, DC-iris

NOTES:

- Lenses:** Other lenses types are available and can be selected based on the application requirements. SWI application engineers will determine the best options.
- Mounting Hardware:** All mounting hardware bracket and arm will be dependant on the specific installation. SWI application engineers will determine the best options.

CONTACT



Delivering Intelligent Data

Midway Business Park, Unit 3a 303 Blenheim Road
PO Box 8136 Riccarton, Christchurch 8440, New Zealand
Phone: +64-3-343-9150 Fax: +64-3-343-9151
Email: sales@quasar.co.nz Website: www.quasar.co.nz

Systems With Intelligence Inc., 1215 Meyerside Drive, Unit #7, Mississauga, Ontario, L5T-1H3 Canada
Phone: +1-289-562-0126 Email: info@SystemsWithIntelligence.com www.SystemsWithIntelligence.com