

iROC

Hardened Computing Device
IEC 61850-3 and IEEE 1613 Compliant

Features



- Fully featured x86 based computing device
- AMD G-Series Fusion Dual-Core 64 bit CPU, up to 1.00Ghz
- 4GB DDR3 RAM
- IRIG-B TTL Input with Sync LED Indication
- Supports:
 - 120GB to 960GB mSATA Solid State Drive (SSD)
 - Dual 10/100/1000Base-TX Ethernet ports
 - Dual USB2.0 high speed ports
 - HDMI 1.4 Interface; WUXGA (1920 x 1200) resolution
 - Serial Console port
 - Linux, Windows 7
- Dual Redundant Power Supplies
- Over 100,000 hours MTBF



Tel: +1 905-670-0004
Toll Free : +1 844-520-0588
Technical Support: +1 844-475-8324
Email: info@is5com.com
www.is5com.com





Introduction

The iROC hardened computing device provides robust platform for substation automation, security, and other applications development. This device is fully compliant with IEC 61850 and IEC 1613.

Specifications

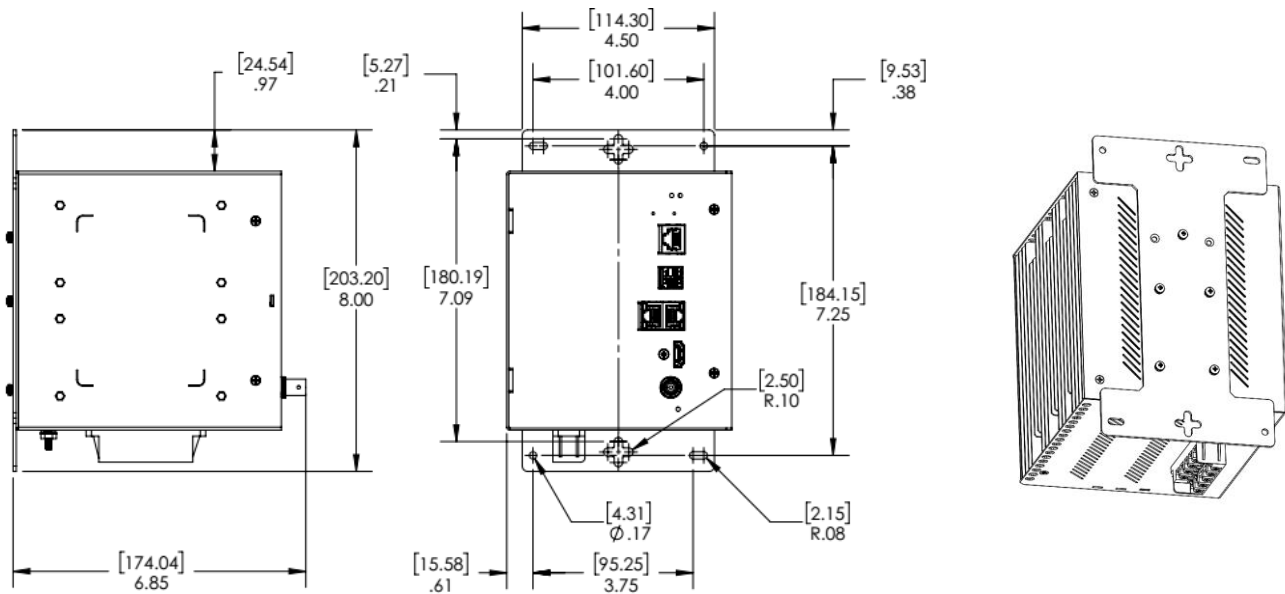
Model Number iROC	
Physical Ports	
10/100/1000Base-T(X) RJ45	2
USB 2.0 Ports	2
Serial Console RK45 Port	1
HDMI 1.4 Interface Ports	2
IRIG-B TTL Input Ports	1 (This option is available in future releases)
Technology	
CPU	AMD G-Series Fusion T40E 64 bit Dual-Core 1Ghz clock rate
Operating Systems	Linux, Windows 7
Power	
Input Power	Redundant Power Supplies: Dual DC Inputs 9-36VDC, Dual DC Inputs 36-75VDC, or Dual Input 110-370VDC or 90-264VAC
Overload Current Protection	Present
Physical Characteristics	
Enclosure	IP-40 Galvanized Steel
Dimensions (W x D x H)	133.74 (W) x 174.04 (D) x 203.20 (H) mm (5.27 x 6.85 x 8.00 inches) panel mount 133.74 (W) x 181.99 (D) x 172.87 (H) mm (5.27 x 7.16 x 6.81 inches) dinrail mount
Unit Weight (g)	~2600 g
Environmental	
Storage Temperature	-40 to +85°C (-40 to 185°F)
Operating Temperature	-40 to +85°C (-40 to 185°F) No Fans
Operating Humidity	5% to 95% Non-condensing
Regulatory Approvals	
Power Automation	IEC 61850-3, IEEE 1613 Compliant
EMI	FCC Part 15, CISPR (EN55022) class A, EN50155 (EN50121-3-2, EN55011, EN50121-4)
EMI Type Tests	IEC 61000-4-2 (ESD), IEC 61000-4-3 (Radiated RFI), IEC 61000-4-4 (Burst), IEC 61000-4-5 (Surge), IEC 61000-4-6 (Induced (Conducted) RFI), IEC 61000-4-8, IEC 61000-4-11
Environmental	IEC 60068-2-1, IEC 60068-2-2, IEC 60068-2-20
Warranty	
Warranty	5 Years



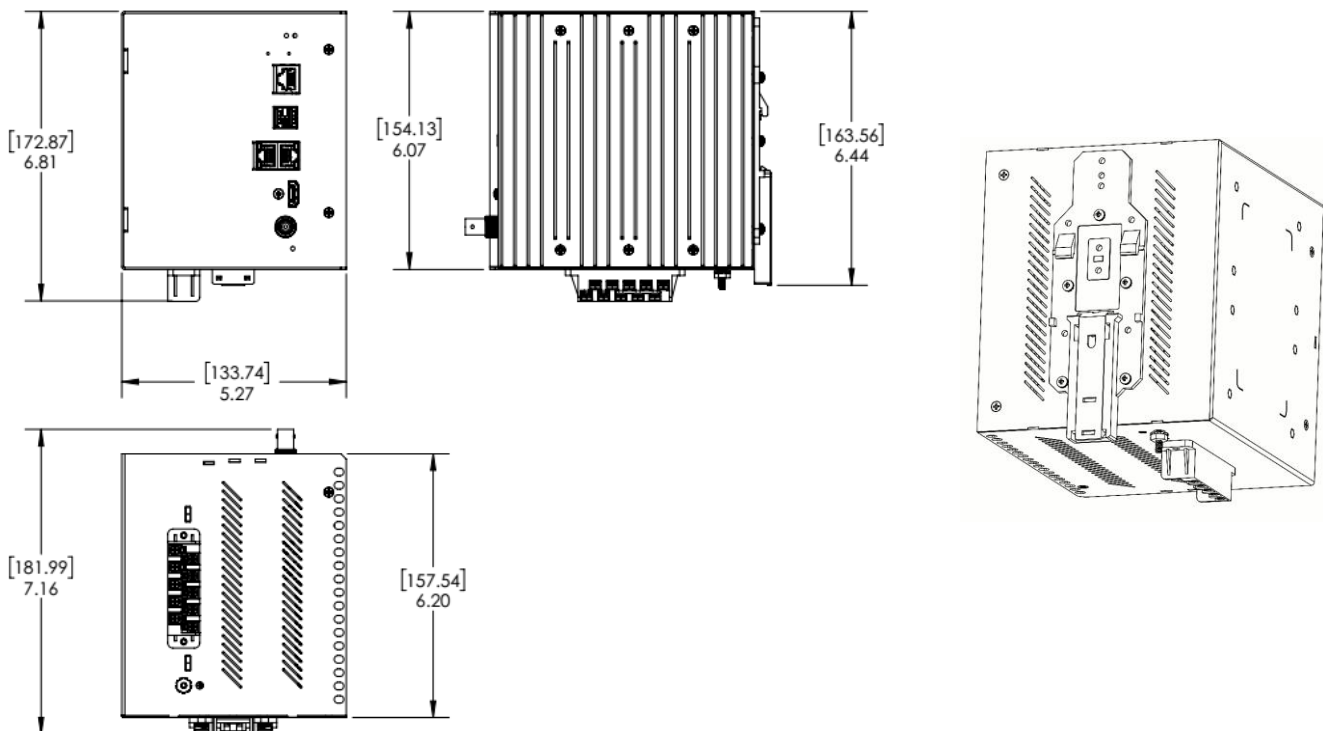
Dimensions

All dimensions are shown in inches.

Panel mount



Dinrail mount





Ordering Information

Base	Power Supply 1	Power Supply 2	Mount	SSD Options	Misc. Options	Conformal Coating	Description
iROC-W	HV	HV	D	240GB	IRIGB	C1	
iROC							Core assembly and packaging with no OS
iROC-W							Core assembly and packaging with Windows 7
iROC-L							Core assembly and packaging with Linux Mint
		XX					None
	LV	LV					Input 9-36VDC
	MV	MV					Input 36-75VDC
	HV	HV					Input 110-370VDC or 90-264VAC
			D				DIN Mount
			P				Panel Mount
			N				No Mounting Hardware
				120GB			1 X 120GB - SSD mSATA, Industrial Temp.
				240GB			1 X 240GB - SSD mSATA, Industrial Temp.
				480GB			1 X 480GB - SSD mSATA, Industrial Temp.
				960GB			1 X 960GB - SSD mSATA, Industrial Temp.
					XX		None
					IRIGB		1 X IRIG-B Input
						C1	Conformal Coating

Example Order Code
Description:

iROC-W-HV-HV-D-240GB-IRIGB-C1

Hardened Computing Device, Core assembly and packaging with Windows 7, (Power Supply 1) Input 110-370VDC or 90-264VAC, (Power Supply 2) Input 110-370VDC or 90-264VAC, DIN Rail Mounting, SSD Options: 1 X 240GB - SSD mSATA, Industrial Temp., Misc. Options: 1 X IRIG-B Input, C1 - added for conformal coating.