

iMC4F

Industrial 4 Ports Ethernet to Fiber Ethernet Converter/ Unmanaged Switch
IEC 61850 and IEEE 1613 Compliant

Product Overview



iMC4F is an industrial grade cost-effective solution for the conversion of 2 x 10/100Base-T(X) RJ45 ports to 2 x 100Base-X SFP interface.

iMC4F supports MDI/MDIX auto detection for 10/100Base-T(X) interface. Far End Fault Indication (FEFI) ensures indication of link status change.

The iMC4F is a reliable media converter that operates at a wide operating temperature range from -40°C to +85°C and accepts a wide voltage range from dual 9-36 VDC power inputs, so it is suitable for harsh operating environments.



Tel: +1 905-670-0004
Toll Free : +1 844-520-0588
Technical Support: +1 844-475-8324
Email: info@is5com.com
www.is5com.com





Features

Table 1. Features

Feature	
Supports:	<ul style="list-style-type: none">• 2 x 10/100Base-T(X) auto-negotiation and auto-MDI/MDI-X ports• 2 x 100Base-X SFP ports• Ethernet to Fiber SFP port• Far End Fault Indication (FEFI) function for 100Base-FX interface• Auto-Negotiation function for 100Base-TX interface• Full/half duplex operation• Store and forward transmission
Dual Input Power Supplies	
IP-40 Galvanized Steel Housing	
DIP-Switch for setting various functions (for future implementation)	
Operating Temperature -40°C to +85°C	
DIN rail and panel mount	



Product Specifications

Table 2. Technical Specification

Description	Specification
10/100Base-T(X) RJ45 Ports Auto MDI/MDIX	2
100Base-FX SFP Ports	2
Technology	
Processing	Store-and-Forward
Physical Characteristics	
Enclosure	IP-40 Galvanized Steel
Dimensions (W x D x H)	76.20 (W) x 90.20 (D) x 148.35 (H) mm (3.00 x 3.55 x 5.84 inches) DIN rail mount 114.3 (W) x 82.51 (D) x 203.20 (H) mm (4.50 x 3.25 x 8.0 inches) panel mount
Unit Weight (g)	~1200 g
Power	
Input Power	Input 9-36VDC, Input 36-75VDC, or Input 110-370VDC or 90-264VAC
Power Consumption (Typ.)	2.2 Watts
Overload Current Protection	Present
Reverse Polarity Protection	Present on terminal block

Table 3. Compliance Specifications

Type	Standards
Electromagnetic Emissions	FCC Part 15, Class A, CISPR Class A (EN55022)
Electromagnetic Immunity	EN61000-4-2 (ESD), EN61000-4-3 (RS), EN61000-4-4 (EFT), EN61000-4-5 (Surge), EN61000-4-6 (CS), EN61000-4-8, EN61000-4-11
Safety Standards	EN60950-1
Operating Environment	-40°C to +85°C (-40° to 185°F) (no fans) EN 60068-2-21
Storage Environment	-40°C to +85°C (-40° to 185°F) EN 60068-2-14
Operating Humidity	5% to 95% Non-condensing EN 60068-2-30
Shock	IEC60068-2-27
Free Fall	IEC60068-2-32
Vibration	IEC60068-2-32
Warranty	5 years



Table 4. Standards and Management

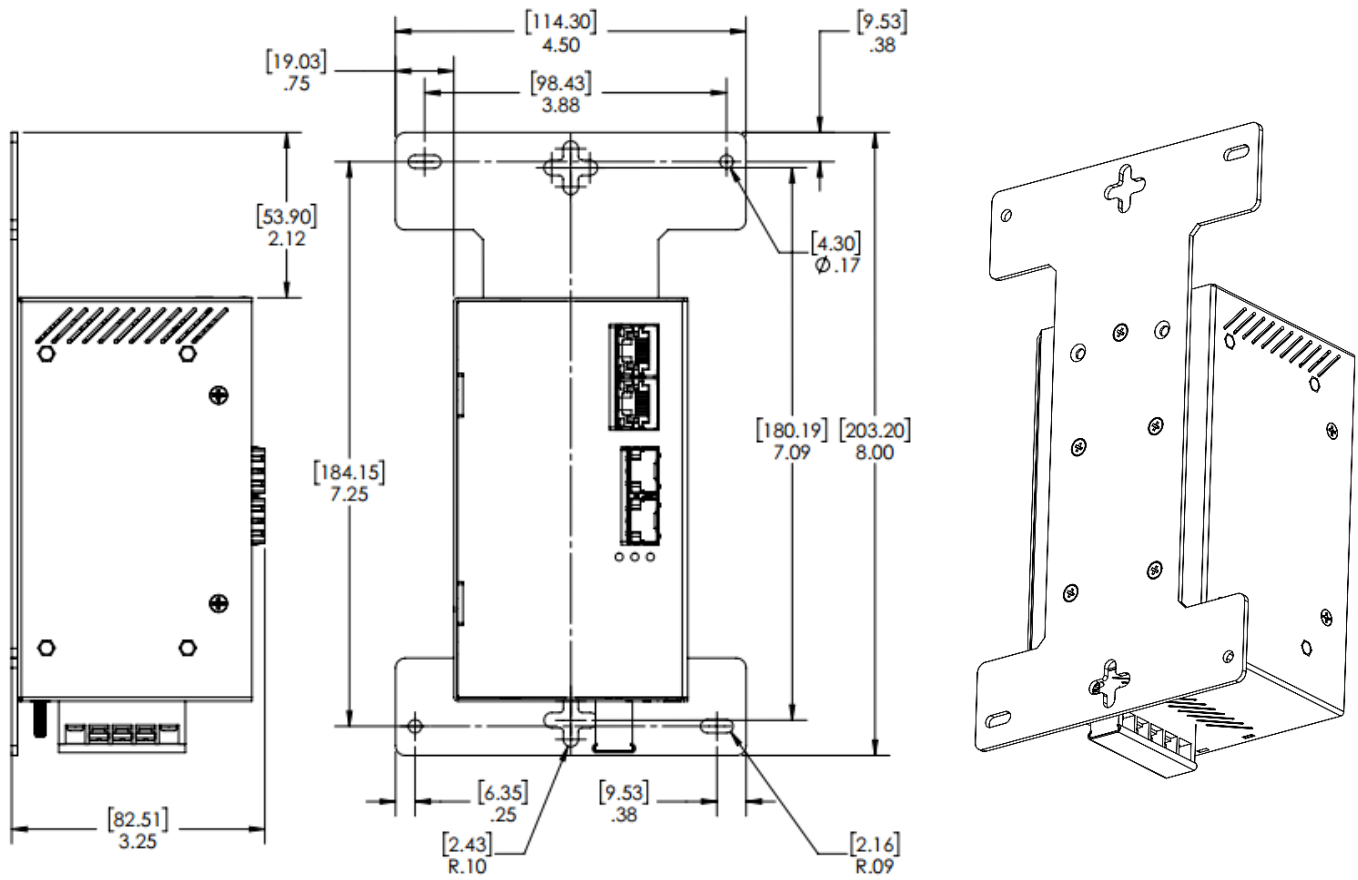
Description	Specification
IEEE Standards	IEEE 802.3 for 10Base-T IEEE 802.3u for 100Base-T(X) and 100Base-FX IEEE 802.3x for Flow control
RFC Compliance	<ul style="list-style-type: none">• RFC 4445 MDI• RFC 5171 UDLD Protocol



Dimensions

All dimensions are shown in inches.

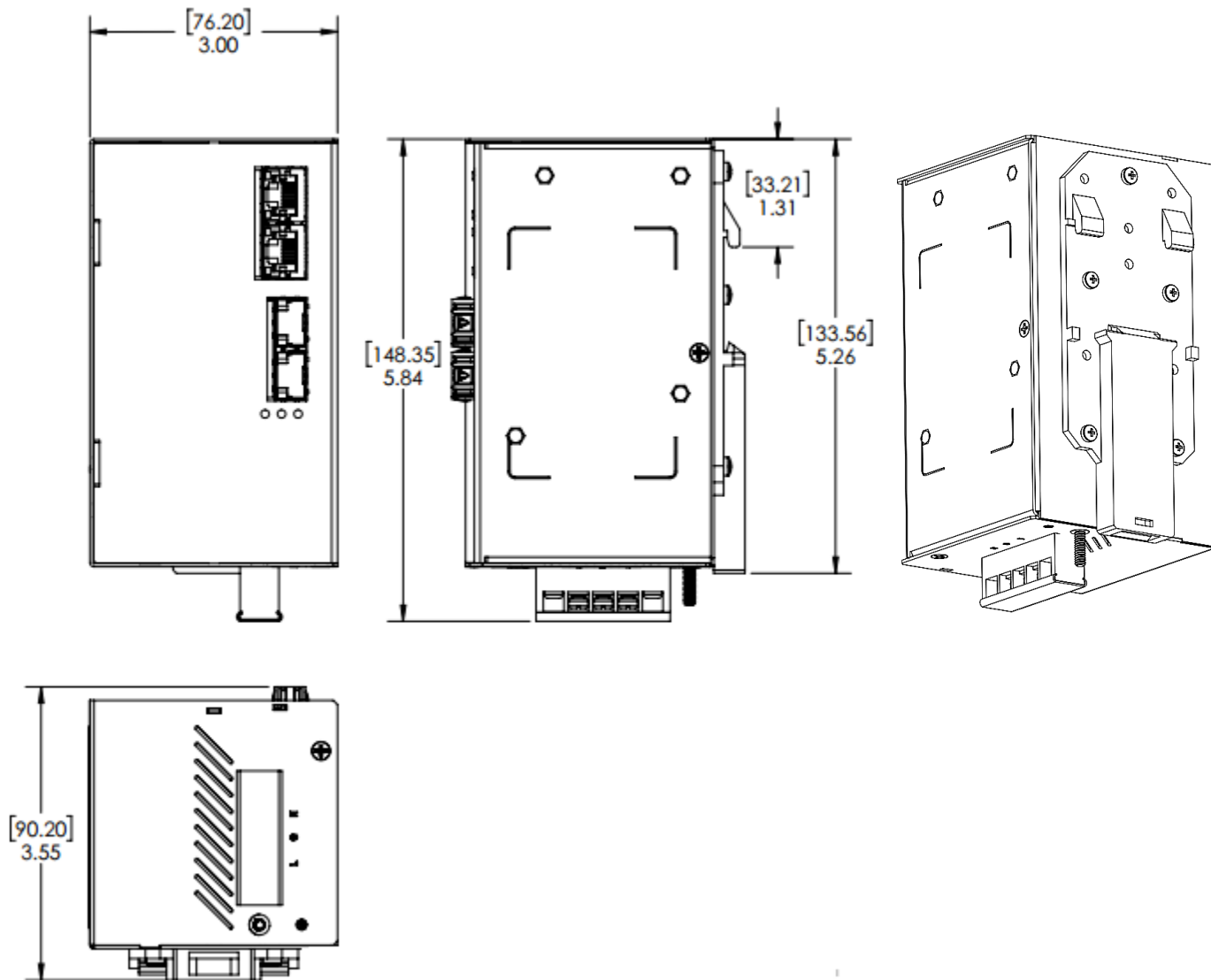
Panel Mount





All dimensions are shown in inches.

Dinrail Mount





Ordering Information

Base	Power Supply	Mount	Ethernet Port 1&2	Ethernet Port 3&4	Conformal Coating	Description
iMC4F	HV	D	2RJ45	2SFP		
iMC4F						Core assembly and packaging
	LV					Input 9-36VDC
	MV					Input 36-75VDC
	HV					Input 110-370VDC or 90-264VAC
		D				DIN Rail Mounting
		P				Panel Mounting
		N				No Mounting Hardware
			2RJ45			2 X 10/100Base-T(X) RJ45
				2SFP		2 X 100Base-X SFP (Blank no optical transceivers*)
					C1	Conformal Coating

*See Accessories List for SFP transceiver pricing.

Example Order Code **iMC4F-HV-D-2RJ45-2SFP-C1**
Description:

Industrial 2 Port 10/100 (TX) to 2 Port 100 (X) Media Convertor, (Power Supply) Input 110-370VDC or 90-264VAC, DIN Rail Mounting, (Ethernet Port 1&2) 2 X 10/100Base-T(X) RJ45, (Ethernet Port 3&4) 2 X 100Base-X SFP, C1 - added for conformal coating