



## IPTZ1016 2MP 38X IR NETWORK PTZ CAMERA

### FEATURES

- IEC61850-3\*, IP66, IK10, Substation rated Camera
- High Definition 1080p 60fps / 30fps
- Smart IR, up to 250 m (820ft) IR distance
- Available with fiber or copper network port

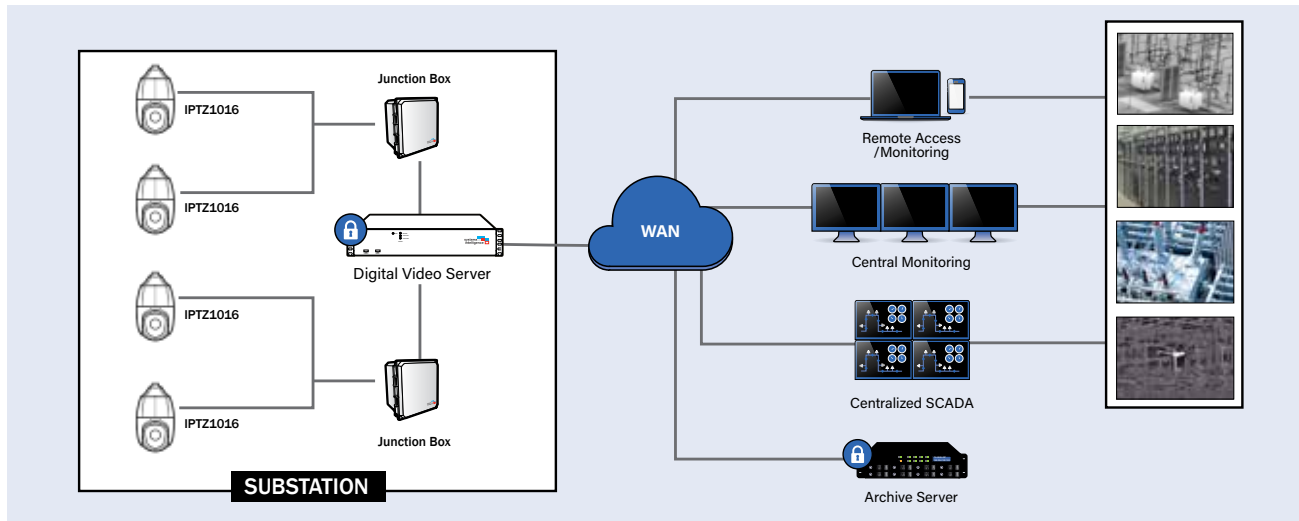
### KEY BENEFITS

- High Reliability Operation in Extreme Environments
- Clear Day and Night Vision
- Optimized Bandwidth for Remote Locations
- Detailed real-time substation visualization

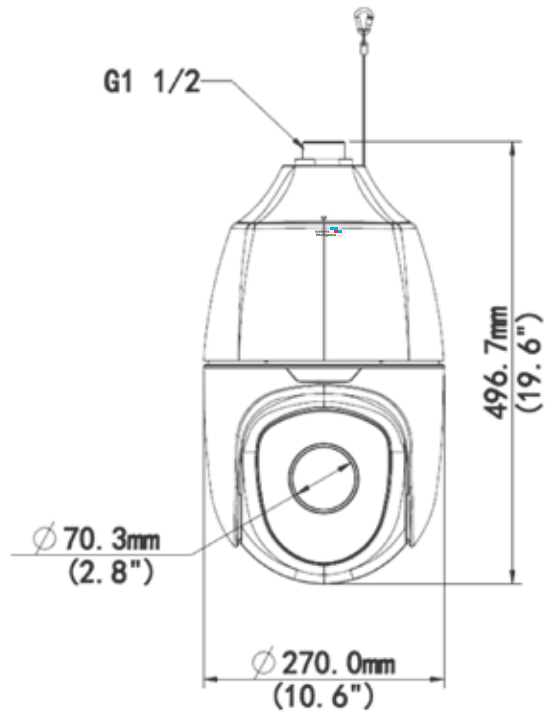
The Systems With Intelligence IPTZ1016 Pan/Tilt/Zoom camera provides clear, high definition images from environmentally challenging, remote locations. The IPTZ1016 can be used for safety, security and asset monitoring applications in unmanned industrial sites such as electrical power substations, wind and solar farms and oil and gas sites. With built in Pan/ Tilt/Zoom presets, the IPTZ1016 patrols the site automatically to capture events. The user can take command of the camera remotely to zoom in and capture up close details of equipment or people on site with the 38x zoom lens. The onboard long range infrared illuminators allow the IPTZ1016 to capture clear images both day and night. The environmental ratings of the IPTZ1016 make it ideal for the most reliable operation in harsh conditions.

\* Note: EMC/EMI portion. Support from CJB400X Junction Box is required to meet the standard.

# TYPICAL NETWORK ARCHITECTURE



# DIMENSIONS



All units in millimeters (inches)

# TECHNICAL SPECIFICATIONS

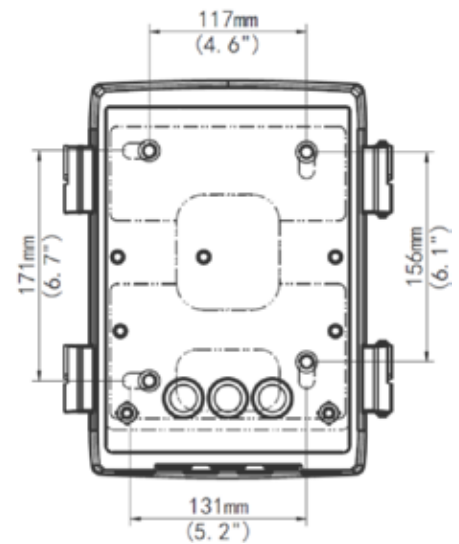
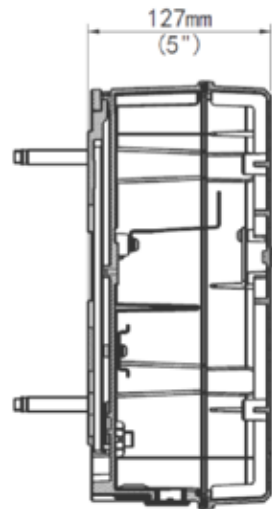
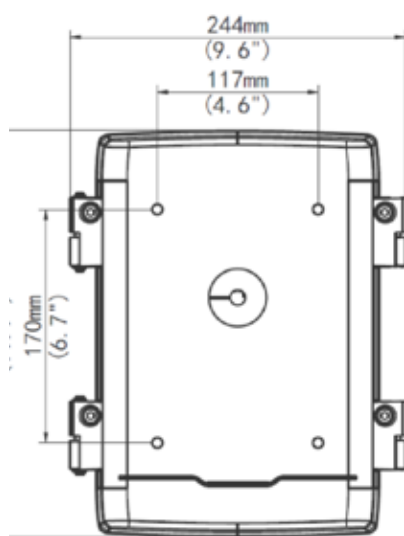
SPECIFICATIONS	
<b>CAMERA</b>	
Sensor	1/1.9", progressive scan, 2.0megapixel, CMOS
Lens	5.7 ~ 216.6 mm, AF automatic focusing and motorized zoom lens
Digital Zoom	16
Optical Zoom	38
DORI Distance	Lens
	5.7mm
	216.6mm
Angle of View (H)	58.4° ~ 2.1°
Angle of View (V)	42.6° ~ 1.3°
Angle of View (O)	71.8° ~ 2.4°
Shutter	Auto/Manual; shutter time: 1s ~ 1/100000s
Minimum Illumination	Colour: 0.001Lux (F1.5, AGC ON) 0 Lux with IR
Iris	Auto/Manual; F1.5 ~ F4.5
Day/Night	IR-cut filter with auto switch (ICR)
Digital noise reduction	2D/3D DNR
S/N	>52dB
IR Range	UP to 250m (820ft)
Defog	Optical Defog & Digital Defog
WDR	120dB
<b>VIDEO</b>	
Video Compression	Ultra 265,H.265, H.264, MJPEG
H.264 code profile	Baseline profile, Main Profile, High Profile
Frame Rate	Main Stream:2MP (1920×1080):Max. 60 fps; Sub Stream:2MP (1920×1080):Max. 60 fps; Third Stream: D1 (720×576): Max. 60 fps
HLC	Supported
BLC	Supported
EIS	Supported
OSD	Up to 8 OSDs
Privacy Mask	Up to 24 areas
ROI	Up to 8 areas
Motion Detection	Up to 4 areas
<b>SMART</b>	
Behavior Detection	Intrusion, cross line, motion detection
Intrusion	Enter and loiter in a pre-defined virtual region
Cross Line	Cross a pre-defined virtual line
Motion Detection	Moving within a pre-defined virtual region

<b>STORAGE</b>	
Edge Storage	Micro SD, up to 128 GB
Network Storage	ANR
<b>NETWORK</b>	
Protocols	IPv4, IGMP, ICMP, ARP, TCP, UDP, DHCP, PPPoE, RTP, RTSP, RTCP, DNS, DDNS, NTP, FTP, UPnP, HTTP, HTTPS, SMTP, 802.1x, SNMP
Compatible Integration	ONVIF(Profile S, Profile G), API
<b>PAN &amp; TILT</b>	
Pan Range	360° (endless)
Pan Speed	0.1°/s ~ 240°/s
	Pre-set speed: 300°/s
Tilt Range	-20° ~ +90° (auto reverse)
Tilt Speed	0.1° ~ 160°/s
	Pre-set speed: 240°/s
Number of Presets	1024
Patrol	Pre-set patrol, route patrol, recorded patrol
Home Position	Supported
<b>INTERFACE</b>	
Alarm I/O	2 / 1
Serial Port	1 RS485
Network	1 RJ45 10M/100M/1000M Base-TX Ethernet SFP Base-TX Ethernet
Video Output	1 BNC, impedance 75 Ω; amplitude 1 V [p-p]
<b>GENERAL</b>	
Power	24 V AC (Default) ±25%, 24 V DC±25%
	Power consumption: 10.6~51W
Dimensions(ØxH)	Φ270 x 496.7mm (Φ10.6" x 19.6")
Weight	9.69 kg (21.4 lb)
Working Environment	-40° C ~ +70° C (-40° F ~ 158° F), Humidity:10%~ 90% RH(non-condensing)
Ingress Protection	IP66
Vandal Resistant	IK10
Reset Button	Supported
Compliance	EMC/EMI: IEC 61850-3; IEEE 1613; IEC 61000-6-2; IEC 61800-3*
* Support from CJB400X junction box required for this feature. * The specification for this product may change without prior notice for product improvement.	

# JUNCTION BOX

## Outdoor or indoor cable junction box for PTZ Dome series, Option A20

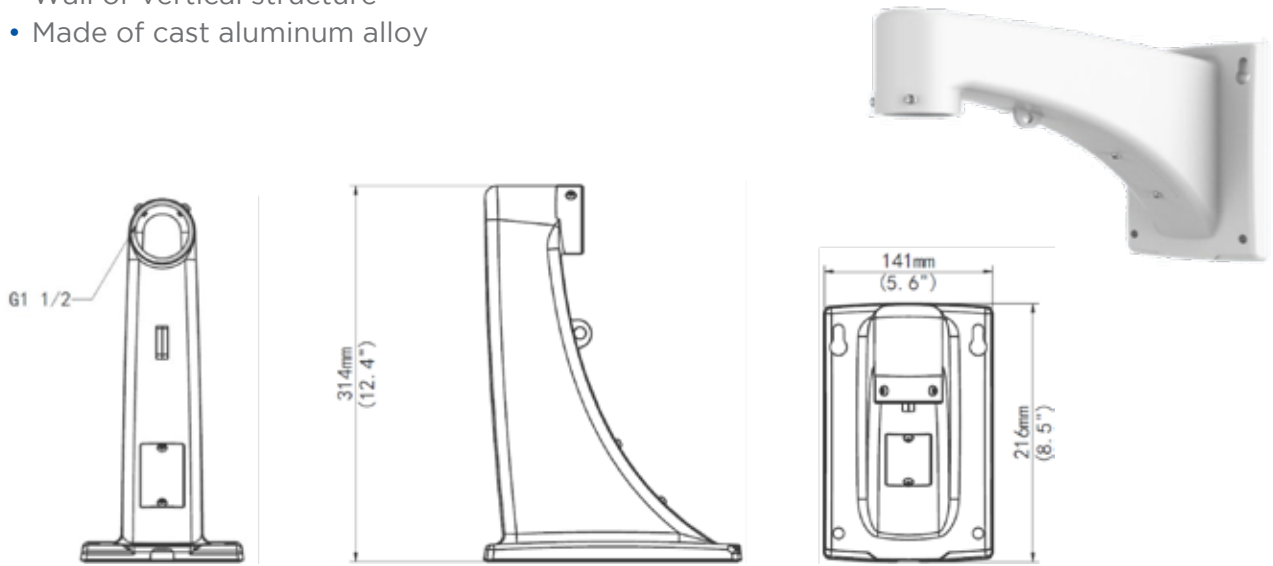
- 296mm x 244mm x 127mm (11.7" x 9.6" x 5")
- 2.5kg (5.5lb)
- Made of aluminum alloy



# MOUNTING OPTIONS

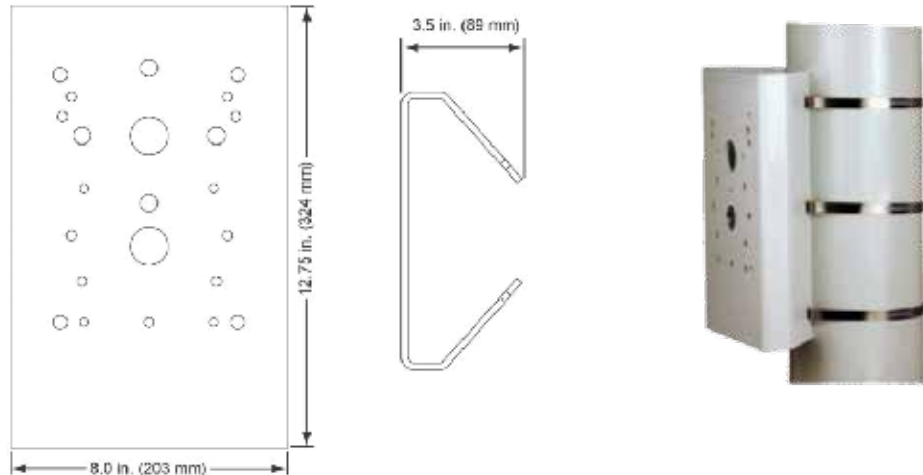
## Wall Mount with Cable Feedthrough, Option A20

- Indoor or outdoor, PTZ dome pendant installation
- Wall or vertical structure
- Made of cast aluminum alloy



## Pole Mount Adapter, Option A10

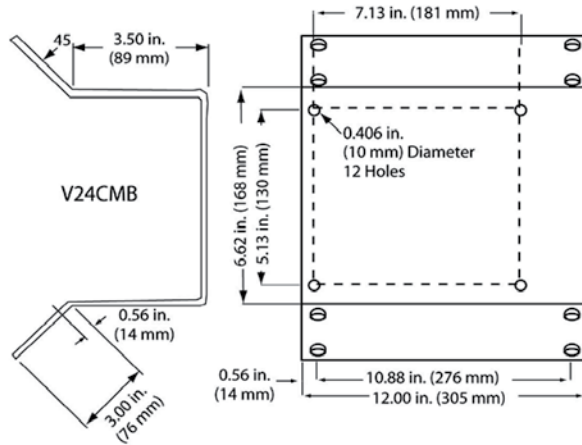
- Minimum pole diameter: 4 in.
- Maximum pole diameter: 10 in.
- Made of aluminum



## MOUNTING OPTIONS (CONT'D)

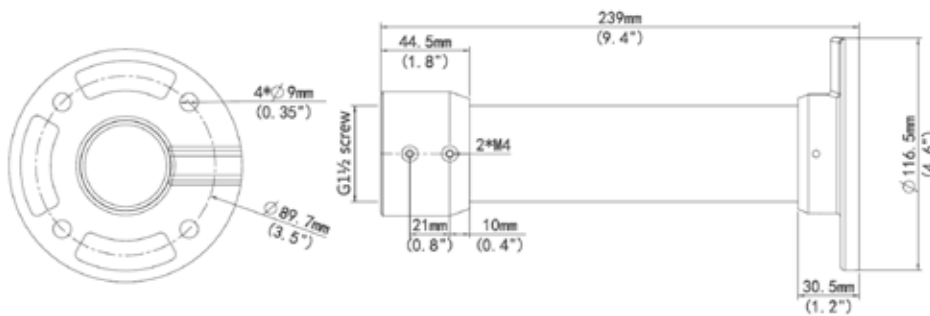
### Corner Mount Adapter, Option A11

- Corrosion-protected steel construction
- Height: 6.6 in. (168mm)
- Width: 12 in. (305mm)
- Unit weight: 3.7kg (8.5lb)



### Pendant Mount, Option A14

- Indoor or outdoor, PTZ dome pendant installation
- Made of aluminum alloy
- Unit weight: 0.67kg (1.5lb)



# CONFIGURATION



BASE UNIT	DESCRIPTION
S	High Speed, 38x Zoom, IP PTZ, Dome Camera
CAMERA ARM	
AXX	No Arm
A10	Pole Mount Adapter with Cable Feedthrough
A11	Corner Mount Adapter with Cable Feedthrough
A14	Pendant Mount with Cable Feedthrough
A20	Wall Mount with Cable Feedthrough
ETHERNET PORT	
C01	RJ45 10M/100M/1000M Base-TX
LC1	100FX, multimode, 2km, LC interface
CABLE LENGTH	
CL05	5 feet of communications and power cable
CL10	10 feet of communications and power cable
CL30	30 feet of communications and power cable
CL45	45 feet of communications and power cable

**NOTE: Mounting Hardware:** All mounting hardware brackets and arms will be dependant on the specific installation. SWI application engineers will determine the best options.



Systems With Intelligence Inc.  
6889 Rexwood Road, Unit #9  
Mississauga, Ontario, CANADA  
L4V 1R2

Tel: +1-289-562-0126  
Fax: +1-289-562-0152

**General Inquiries:**  
[info@SystemsWithIntelligence.com](mailto:info@SystemsWithIntelligence.com)

**Sales Inquiries:**  
[sales@SystemsWithIntelligence.com](mailto:sales@SystemsWithIntelligence.com)

**Product Support:**  
[support@SystemsWithIntelligence.com](mailto:support@SystemsWithIntelligence.com)

All specifications in this document are subject to change without notice.

© Copyright 2018 Systems With Intelligence Incorporated. All rights reserved.